

Flow Switches FSF50P-1SN

Introduction

FSF50P-1SN series flow switches are used in measuring and controlling the flow of the liquid in the pipe, such as water, alcohol, etc., as well in the places where it needs chain effect or cutout protection.

FSF50P-1SN series flow switches have SPDT switch, full-sealing structure as its shell, and stainless steel as its inside components, which can assure its use in any conditions.

Approves: CQC(China), CE (Europe).



Technical data

Ambient temperature

-20 ~ 50°C

Liquid temperature

-25 ~ 120°C

Cable connection

The cable entry can be used for 15mm dia.

Max.. Liquid pressure

1.5MPa

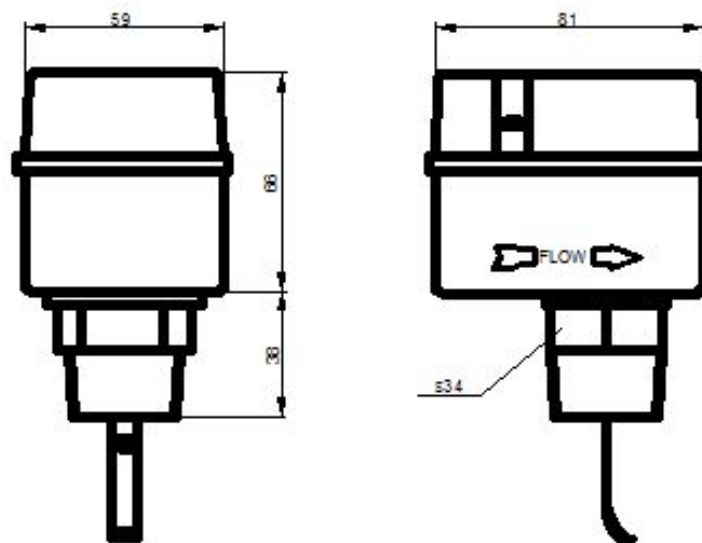
level of protection

IP 55

Electrical data

Voltage (V)		A.C. 110		A.C.220	
		Current (A)		Current (A)	
Non-inductive current		16		16	
Inductive current	Full load	16		8	
	Starting	96		48	

Dimension (Unit: mm)

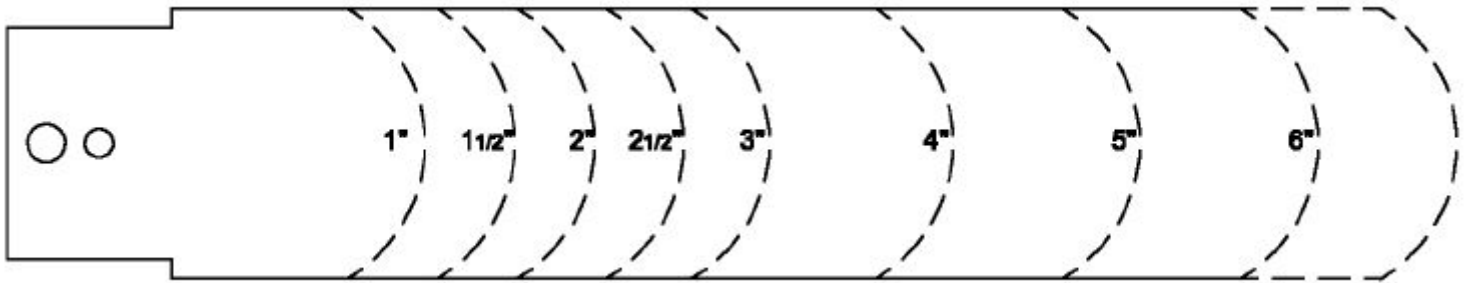


Flow Switches FSF50P-1SN

Type & data

Model	Connection	Crust	Medium	Material in contact with the medium
FSF50P-1SN	1"-11 ¹ / ₂ NPT	Seal plastic case	Water	brass

Dimension of the paddle (Unit: inch)



Flow rates

Required to actuate switch (m³/hr)

Line pipe size (in.)		1	1-1/4	1 1/2	2	2-1/2	3	4	5	6	8
Min. flow	Flow increase R to B closes	1.0	1.3	1.7	3.1	4.1	6.2	8.4	12.9	16.8	46.6
	Flow decrease R to Y closes	0.6	0.8	1.1	2.2	2.8	4.3	6.1	9.3	12.3	38.6
Max. flow	Flow increase R to B closes	2.0	3.0	4.4	6.6	7.8	12.0	18.4	26.8	32.7	94.2
	Flow decrease R to Y closes	1.9	2.8	4.1	6.1	7.3	11.4	17.3	25.2	30.7	90.8

Contact form

